



**ABS**  


# GR SERİSİ GR SERIES

SOĞUTMA ÜNİTELERİ - UNIT COOLERS



ABS



[www.gurcan.com.tr](http://www.gurcan.com.tr)

## Unit Coolers GRE SERİSİ GRE SERIES

**MINI FREEZER**  
**MINI DONDURUCU**  
لغرف التبريد و التجميد الصغيرة

## DESCRIPTION



### GRE 135L

Unit cooler

**GR:** positive temp. application  
without defrost system

**GRE:** negative temp. application  
with defrost system

Model

Fins spacing :  
R/E: 4.23 mm  
L/C: 6.35 mm

### HIGH PERFORMANCE HEAT EXCHANGER

- The high efficient and compact **GR** range finned coils, are designed with corrugated aluminium fins (*fin spacing: 4.23 or 6,35 mm*) and grooved internal structure copper tubes.
- The refrigerant distributors are Venturi type for models **GR 160/140** to **GR 270/250** and **GRE 135/120** to **GRE 270/250**.

### VENTILATION

- 50-60 Hz fan assembly (Ø 200 mm) used for **GR** and **GRE** models, is designed with an enclosed frame, class B, impedance protected, liife lubricated motor,
- Fan guards conform to safety regulations.

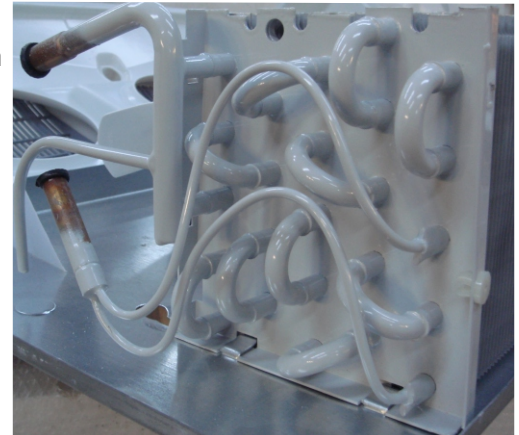
### CASING

ABS reyclabe casing guarantes a high quality level with regard to;

- **robustness:** hig thermal ( at low and and high temperatures) and mechanical shock-proof charactersictic,
- **aesthetics:** its look, its finish and granulated white casign make the GR integrate completely with its installed anvionment, **GR** fins with polyester finish.
- **hygiene;** no water retaining areas favurable to germ development due to its round cornered casign and no corrosive elements (for example:stainless steel screws).

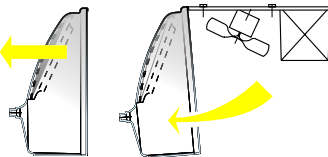
### DEFROST

- 230V/1 tubular electric heater connected to a junction box (**GRE only**) under the coil which facilitates easy maintenance and ensures equal heat distribution through the coil. So, defrost is perfect.
- Defrost water is collected in an intermediate drain pan then drained through a Ø 1° G threaded polyamid drain fitting.



### ACCESSIBILITY

- The **GR** line has been designed to facilitate easy installation, maintenance and cleanign.
- Casign fitted with polyamid hinges, enables full access to all unit components (*coil, motorfan, defrost heater, connections...*) These hinges allow the casing removal too.



**GR** units coolers are suitable for small refrigerated rooms for chilling or lo w temperature storage applications.



# GRE SERİSİ / SERIES



## UNIT COOLERS

Kod Code	Model Model	Lamel Aralığı Fin Spacing	Kapasite Capacity				Isı Transfer Alanı Heat Transfer Area	Fan Çapı Fan Diameter				Circuit Volume	Hava Debisi Air Flow	Hava Üfleme Air Throw	Boru Hacmi Pipe Volume
			SC 1	SC 2	SC 3	SC 4		Ø mm	Wmax	Amax	R. P. M.				
			mm	watt	watt	watt		watt	m <sup>2</sup>	dm <sup>3</sup>	m <sup>3</sup> /h				
GRE 75	GRE 75	4,23	--	--	530	420	3,35	200	1 x 38	1 x 0,24	1500	0,58	290	3	--
GRE 110	GRE 110	4,23	--	--	820	640	3,66	200	2 x 38	2 x 0,24	1500	0,63	650	3,7	--
GRE 135	GRE 135	4,23	--	--	1.070	840	6,10	200	2 x 38	2 x 0,24	1500	1,05	580	3,5	--
GRE 210	GRE 210	4,23	--	--	1.660	1.320	10,05	200	3 x 38	3 x 0,24	1500	1,73	870	4	--
GRE 270	GRE 270	4,23	--	--	2.230	1.780	13,40	200	4 x 38	4 x 0,24	1500	2,3	1160	4,5	--
GR 75	GR 75	4,23	--	680	--	--	3,35	200	1 x 38	1 x 0,24	1500	0,58	290	3	--
GR 110	GR 110	4,23	--	1070	--	--	3,66	200	2 x 38	2 x 0,24	1500	0,63	650	3,7	--
GR 135	GR 135	4,23	--	1270	--	--	6,10	200	2 x 38	2 x 0,24	1500	1,05	580	3,5	--
GR 210	GR 210	4,23	--	2060	--	--	10,05	200	3 x 38	3 x 0,24	1500	1,73	870	4	--
GR 270	GR 270	4,23	--	2620	--	--	13,40	200	4 x 38	4 x 0,24	1500	2,3	1160	4,5	--
GR MR 65 L	GR MR 65 L	6	--	620	--	--	2,32	200	1 x 38	1 x 0,24	1500	0,58	310	3	--
GR MR 100 L	GR MR 100 L	6	--	890	--	--	2,53	200	2 x 38	2 x 0,24	1500	0,63	660	3,7	--
GR MR 120 L	GR MR 120 L	6	--	1180	--	--	4,22	200	2 x 38	2 x 0,24	1500	1,05	620	3,5	--
GR MR 140 L	GR MR 140 L	6	--	1370	--	--	5,56	200	3 x 38	3 x 0,24	1500	1,1	960	4,1	--
GR MR 170 L	GR MR 170 L	6	--	1680	--	--	5,56	200	3 x 38	3 x 0,24	1500	1,38	960	4,1	--
GR MR 190 L	GR MR 190 L	6	--	1890	--	--	6,96	200	3 x 38	3 x 0,24	1500	1,73	930	4	--
GR MR 250 L	GR MR 250 L	6	--	2440	--	--	9,27	200	4 x 38	4 x 0,24	1500	2,3	1240	4,5	--



Hospital coldrooms



Mortuary coldrooms



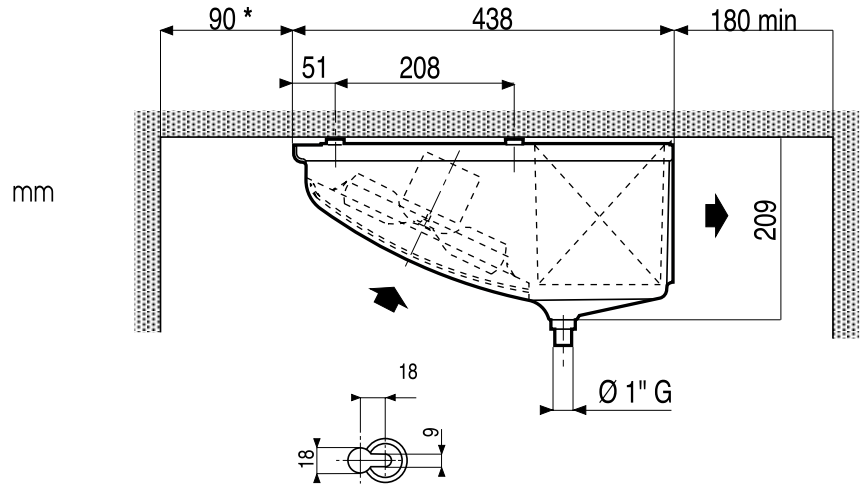
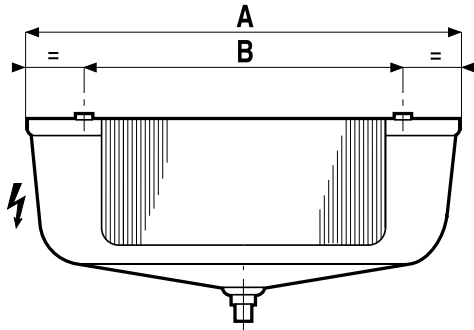
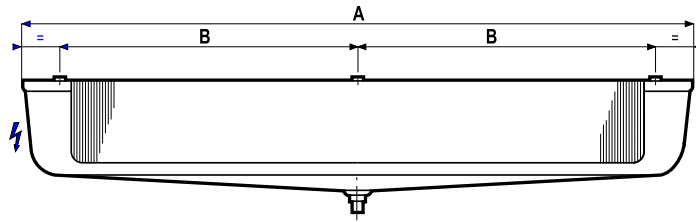
## UNIT COOLERS

Kod Code	Model Model	Lamel Aralığı Fin Spacing	Boyutlar Dimensions						Bağlantılar Connection				Desfrost Defrost	
			a	b	c	d	e	f	Giriş Inlet		Çıkış Outlet		D1	D2
			mm	mm	mm	mm	mm	mm	mm	mm	mm	mm	watt	A
GRE 75	GRE 75	4,23	514	326	209	--	--	--	3/8"	10	3/8"	10	400	1,8
GRE 110	GRE 110	4,23	784	596	209	--	--	--	3/8"	10	3/8"	10	440	2
GRE 135	GRE 135	4,23	784	596	209	--	--	--	D 1/2"	D 1/2"	1/2"	12	730	3,3
GRE 210	GRE 210	4,23	1174	493	209	--	--	--	D 1/2"	D 1/2"	5/8"	16	1200	5,5
GRE 270	GRE 270	4,23	1504	658	209	--	--	--	D 1/2"	D 1/2"	3/4"	18	1600	7,3

GR 75	GR 75	4,23	514	326	209	--	--	--	3/8"	10	3/8"	10	--	--
GR 110	GR 110	4,23	784	596	209	--	--	--	3/8"	10	3/8"	10	--	--
GR 135	GR 135	4,23	784	596	209	--	--	--	3/8"	10	3/8"	10	--	--
GR 210	GR 210	4,23	1174	493	209	--	--	--	D 1/2"	D 1/2"	1/2"	12	--	--
GR 270	GR 270	4,23	1504	658	209	--	--	--	D 1/2"	D 1/2"	1/2"	12	--	--

### MINI FREEZER MINI DONDURUCU

لغرف التبريد و التجميد الصغيرة

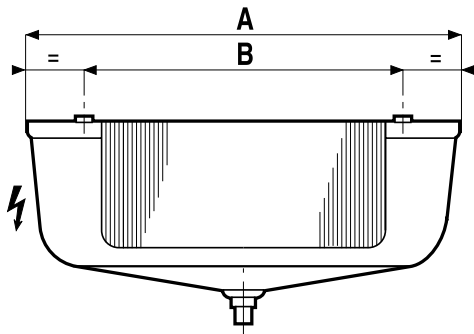
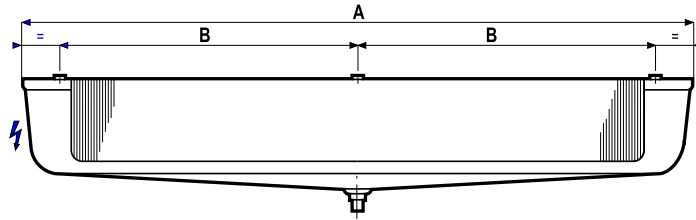


## UNIT COOLERS

Kod Code	Model Model	Lamel Aralığı Fin Spacing	Boyutlar Dimensions						Bağlantılar Connection				Desfrost Defrost					
			a		b		c		d		e		f		Giriş Inlet	Çıkış Outlet	D1	D2
			mm	mm	mm	mm	mm	mm	mm	mm	mm	mm	mm	mm	mm	watt	A	
GR MR 65 L	GR MR 65 L	6	514	326	209	--	--	--	3/8"	10	3/8"	10	--	--				
GR MR 100 L	GR MR 100 L	6	784	596	209	--	--	--	3/8"	10	3/8"	10	--	--				
GR MR 120 L	GR MR 120 L	6	784	596	209	--	--	--	3/8"	10	3/8"	10	--	--				
GR MR 140 L	GR MR 140 L	6	1174	493	209	--	--	--	D 1/2"	D 1/2"	1/2"	12	--	--				
GR MR 170 L	GR MR 170 L	6	1174	493	209	--	--	--	D 1/2"	D 1/2"	1/2"	12	--	--				
GR MR 190 L	GR MR 190 L	6	1174	493	209	--	--	--	D 1/2"	D 1/2"	1/2"	12	--	--				
GR MR 250 L	GR MR 250 L	6	1504	658	209	--	--	--	D 1/2"	D 1/2"	1/2"	12	--	--				

### MINI FREEZER MINI DONDURUCU

لغرف التبريد و التجميد الصغيرة



mm

